

2

1

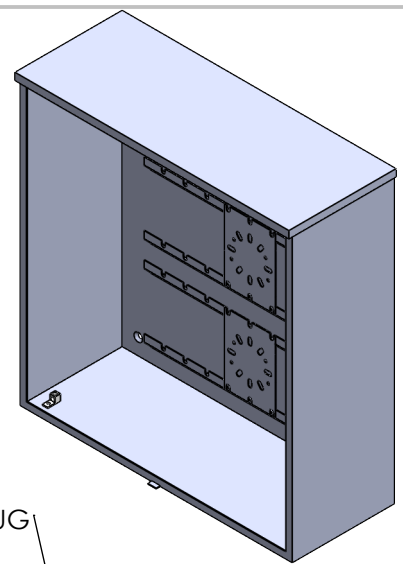
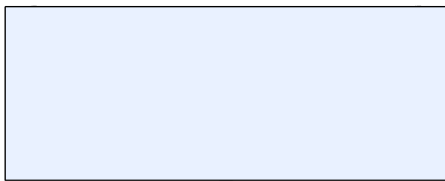
NOTES:

- 1. BOX AND COVER NEMA 3R CONSTRUCTION - GALV SHEET STEEL (16GA). AVAILABLE IN ALUMINUM BY REQUEST.
- 2. FINISH: POWDER COAT GRAY ENAMEL.
- 3. 600A, 600VAC MAX, 1P OR 3P
- 4. CABINET WILL HAVE NAME PLATE ON THE OUTSIDE.
- 5. LABELING PLACED INSIDE THE ENCLOSURE ON THE UPPER RIGHT SIDEWALL INCLUDING CATALOG NUMBER.
- 6. EMBOSSED HOLES IN REAR FOR MOUNTING CABINET.
- 7. GALV STEEL CONFIGURABLE BACKPLATE FOR MOUNTING CT.
- 8. UL 50 & 414 LISTED.
- 9. FOR OH/KY SEE NAV-DE-CTR-12 FOR ALTERNATIVE CABINET.
- 10. INCLUDES HARDWARE KIT OF:
 - (6) 3/8"-16 X 1" ZINC SQUARE HEAD BOLT
 - (6) 3/8"-16 ZINC FLAT WASHER
 - (6) 3/8"-16 ZINC HEX NUT

B

B

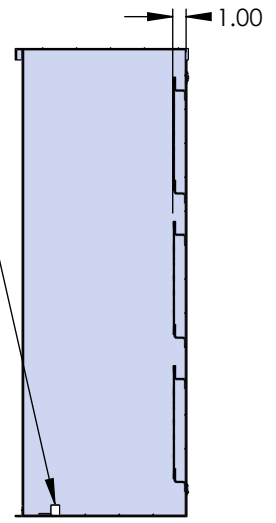
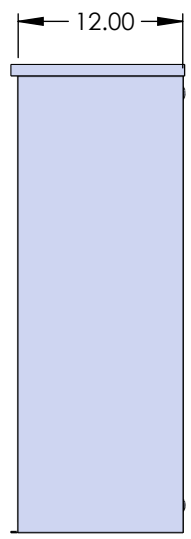
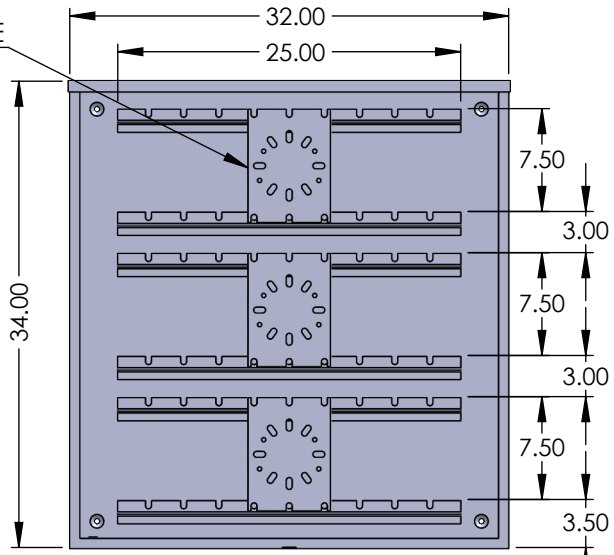
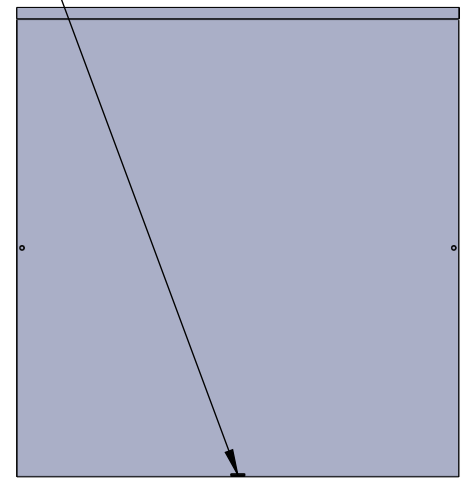
TOP VIEW



LIFT OFF SCREWCOVER
WITH STAINLESS STEEL
SEALING HASP & LATCH

CT MOUNTING PLATE

N-150 BONDED
GROUNDING LUG



A

A

COVERED VIEW

OPENED VIEW

SIDE VIEW

SIDE VIEW SECTIONED

	NAME	DATE
DRAWN BY	N. BOSETTI	6/26/2025
REVIEWED BY		

NAV-TECH
INCORPORATED

155 MARCUS BLVD
HAUPPAUGE, NEW YORK 11788
PH: (718) 257-2111 FAX: (718) 257-2626

MAT'L:	16 GAUGE GALV STEEL
FINISH:	GRAY POWDER COAT ANSI 61
WEIGHT:	
ALL DIMENSIONS ARE NOMINAL UNLESS EXPLICITLY STATED OTHERWISE	

DRAWING TITLE:	DUKE ENERGY 600A CT CABINET 34 X 32 X 12
PART #:	NAV-DE-CTR-6
DO NOT SCALE DRAWING	

DESCRIPTION:			
DUKE ENERGY NEMA 3R CT CABINET 34" X 32" X 12" 600A, 600VAC MAX, 1P OR 3P			
SCALE:	1:10	SIZE	A
SHEET	1 OF 1	REV.	2

2

1